

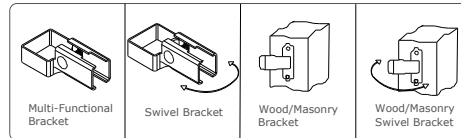
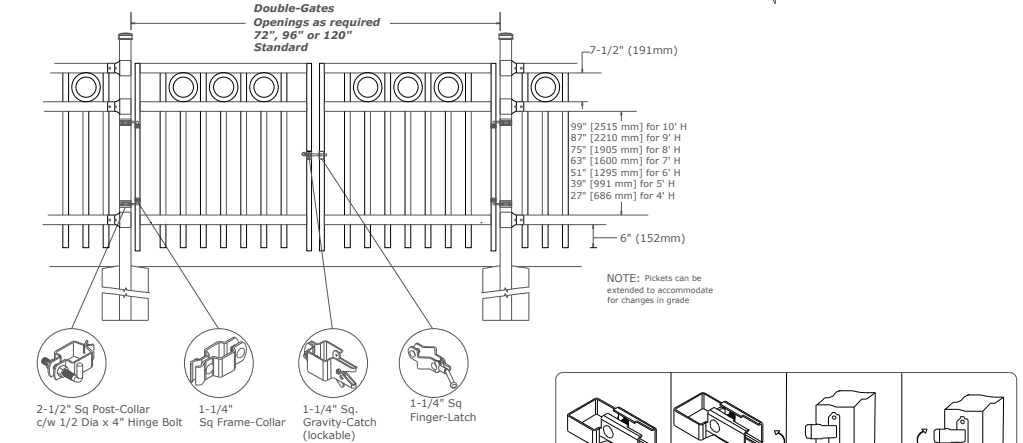
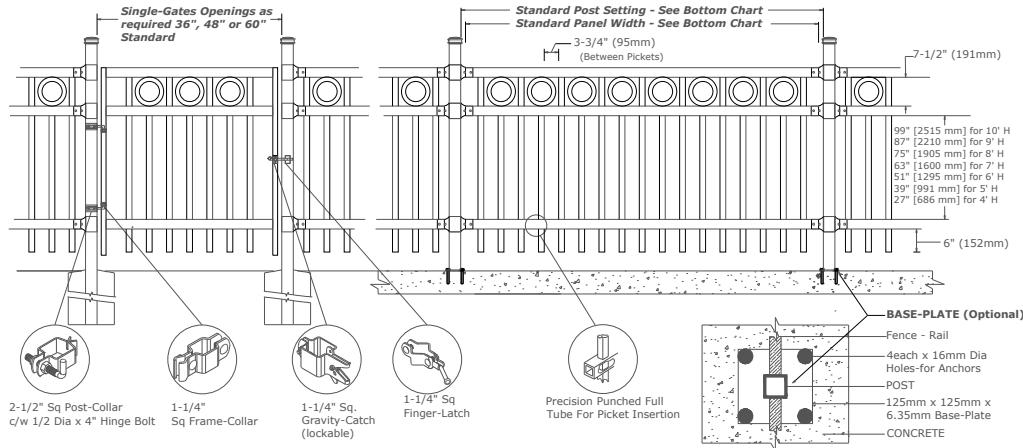


Medallion Fence

10651 KEELE STREET
 MAPLE, ONTARIO L6A 3Y9
 (T) 905-832-2922 || 1-800-794-1564 || (F) 905-832-1564
 info@medallionfence.com || www.medallionfence.com

Style:
 ALDEN-R/RP

Series:
 PRESTON™



MATERIAL SPECIFICATIONS:
 ARMOUR-SHIELD™
 BY MEDALLION FENCE

PROTECTED BY



ARMOUR-SHIELD

OPTIONAL POST CAPS



PYRAMID



BALL



SPIRAL

SPECIFICATIONS

TUBE COMPOSITION - POSTS, RAILS & PICKETS

Coated Cold Formed ERW Tubing

- o A minimum protective coating weight of 275gm/m² both interior and exterior
 Top coat consisting of a chromium-free phosphate conversion coating
- o Coating conforming to ASTM A1046 for hot dip coatings comprising of Zinc,
- o Aluminum and Magnesium
- ERW tube conforming to ASTM A787 Type 6
- o Minimum Yield Strength 207 MPa and Minimum Tensile Strength 290 MPa
- o Weld seams mill re-metalized

MATERIAL DIMENSIONS

PICKET	1-1/2" x 3/4" [38mm x 19mm] 16GA
RAILS	2-1/2" x 1-1/2" [64mm x 38mm] 16 GA
POSTS	3" x 3" [76mm x 76mm] 14 GA
OPTIONAL POST(1) REGULAR or BASE-PLATED	Larger profiles available – contact Medallion Fence
WELDS	Stainless Steel Mig Weld
FITTINGS	12 Gauge Stamp Forged Finish as below
FITTING FASTENERS	JS1000 Plated Finish as below
OPTIONAL FASTENER	Tamper Proof Nuts

FINISH

GRADE	Super Durable Polyester Powder Coat
OPTIONAL PRIMER	Zinc Rich Epoxy Powder Coat
STANDARD COLOUR	SEMI-GLOSS - BLACK
OTHER COLOURS	Green, Brown, White, Antique Silver
CUSTOM COLOURS	Per Specifications

STANDARD HEIGHT	4'	5'	6'	7'	8'	9'	10'
	1219mm	1524mm	1892mm	2134mm	2438mm	2743mm	3048mm
Custom heights are available (upon request)							

STANDARD GATES: Passage, Double Entry, Cantilever

STANDARD POST SETTING & PANEL WIDTH

FOR FENCE HEIGHTS	PANEL WIDTH	POST SPACING [OPENING]
Up to 6' [1829mm]	90" [2286mm]	93" [2362mm]
Over 6' [1829mm]	69" [1753mm]	72" [1829mm]