

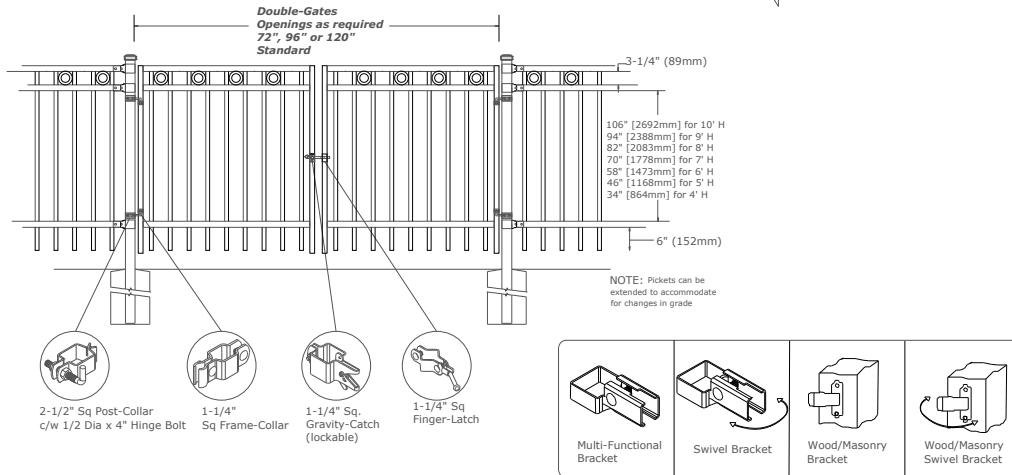
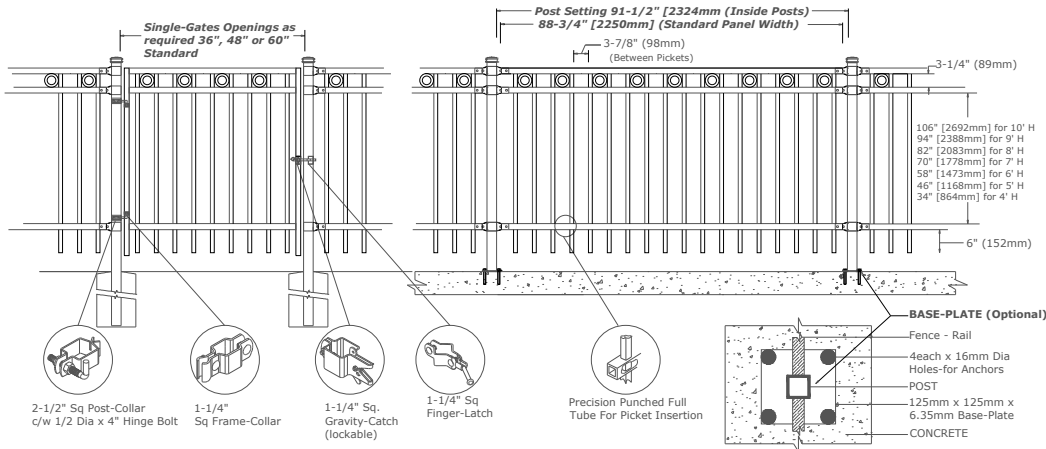


Medallion Fence

10651 KEELE STREET
 MAPLE, ONTARIO L6A 3Y9
 (T) 905-832-2922 | 1-800-794-1564 | (F) 905-832-1564
 info@medallionfence.com | www.medallionfence.com

Style:
 STANTON-REO

Series:
 OXFORD™



MATERIAL SPECIFICATIONS:

ARMOUR-SHIELD™
 BY MEDALLION FENCE

PROTECTED BY



ARMOUR-SHIELD

OPTIONAL POST CAPS



PYRAMID



BALL



SPIRAL

SPECIFICATIONS

TUBE COMPOSITION - POSTS, RAILS & PICKETS

Coated Cold Formed ERW Tubing

- A minimum protective coating weight of 275gm/m² both interior and exterior
- Top coat consisting of a chromium-free phosphate conversion coating
- Coating conforming to ASTM A1046 for hot dip coatings comprising of Zinc, Aluminum and Magnesium
- ERW tube conforming to ASTM A787 Type 6
- Minimum Yield Strength 207 MPa and Minimum Tensile Strength 290 MPa
- Weld seams mill re-metalized

MATERIAL DIMENSIONS

PICKET	1" x 1" (25mm x 25mm) 16GA
RAILS	1-1/2" x 1-1/2" (38mm x 38mm) 14 GA
POSTS	2-1/2" x 2-1/2" (64mm x 64mm) 14 GA
OPTIONAL POST(1) REGULAR or BASE-PLATED	ALLIED SS40 2-1/2" (64mm) Sq./3"(76mm) Sq./4"(102mm) Sq
OPTIONAL POST(2) REGULAR or BASE-PLATED	SCH 40 HDG 2-1/2" (64mm) Sq./3" (76mm) Sq./4" (102mm) Sq

WELDS	Stainless Steel Mig Weld
-------	--------------------------

FITTINGS	13 Gauge Stamp Forged Finish as below
----------	---------------------------------------

FITTING FASTENERS	JS1000 Plated Finish as below
-------------------	-------------------------------

OPTIONAL FASTENER	Tamper Proof Nuts
-------------------	-------------------

FINISH

GRADE	Super Durable Polyester Powder Coat
OPTIONAL PRIMER	Zinc Rich Epoxy Powder Coat
STANDARD COLOUR	SEMI-GLOSS - BLACK
OTHER COLOURS	Green, Brown, White, Antique Silver
CUSTOM COLOURS	Per Specifications

STANDARD HEIGHT	4' 1219mm	5' 1524mm	6' 1892mm	7' 2134mm	8' 2438mm	9' 2743mm	10' 3048mm
	Custom heights are available (upon request)						

STANDARD GATES	Passage, Double Entry, Cantilever
----------------	-----------------------------------