

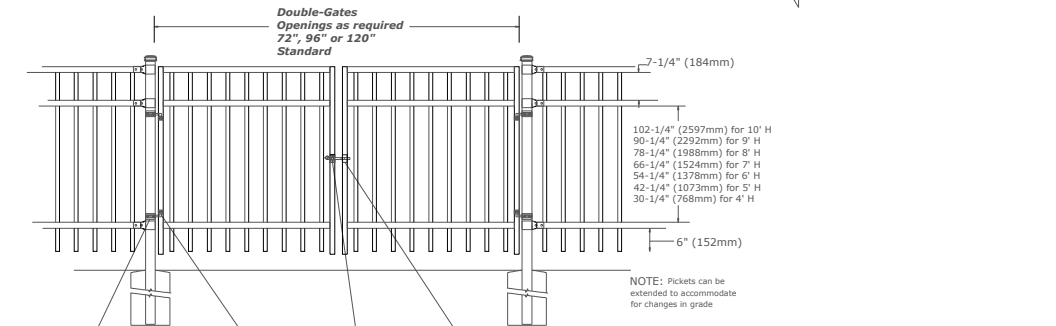
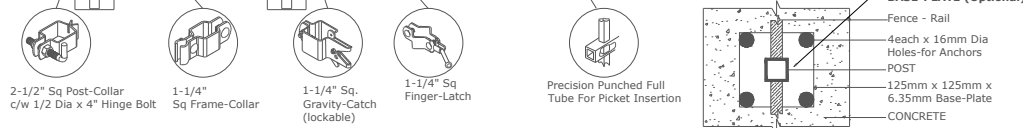
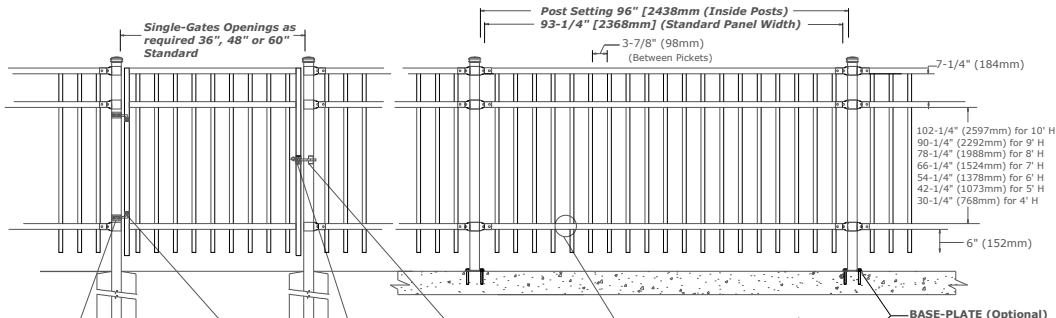


Medallion Fence

10651 KEELE STREET
 MAPLE, ONTARIO L6A 3Y9
 (T) 905-832-2922 | (F) 1-800-794-1564 | (F) 905-832-1564
 info@medallionfence.com | www.medallionfence.com

Style:
 STANTON-AL

Series:
 OXFORD™



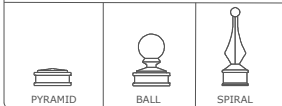
MATERIAL SPECIFICATIONS:

Alu-Tuff™
 BY MEDALLION FENCE

Protected By



OPTIONAL POST CAPS



SPECIFICATIONS

TUBE COMPOSITION - POSTS, RAILS & PICKETS

Marine Grade Aluminum
 o 6061-T6

MATERIAL DIMENSIONS

PICKET	1" x 1" (25mm x 25mm) .080Wall
RAILS	1-1/2" x 1-1/2" (38mm x 38mm) .100 Wall
POSTS	2-1/2" x 2-1/2" (64mm x 64mm) .125 Wall
OPTIONAL POST (1) REGULAR or BASE-PLATED	3" x 3" (76mm x 76mm) .188 Wall requires cast aluminum mounting bracket
OPTIONAL POST (2) REGULAR or BASE-PLATED	Larger profiles available - contact Medallion Fence
WELDS	Aluminum Mig Weld
FITTINGS	12 Gauge Stamp Forged Finish as below
FITTING FASTENERS	JS1000 Plated Finish as below
OPTIONAL FASTENER	Tamper Proof Nuts

FINISH

GRADE	Super Durable Polyester Powder Coat
OPTIONAL PRIMER	Zinc Rich Epoxy Powder Coat
OPTIONAL PRIMER(2)	E-Coat
STANDARD COLOUR	SEMI-GLOSS - BLACK
OTHER COLOURS	Green, Brown, White, Antique Silver
CUSTOM COLOURS	Per Specifications

STANDARD HEIGHT	4'	5'	6'	7'	8'	9'	10'
	1219mm	1524mm	1892mm	2134mm	2438mm	2743mm	3048mm
Custom heights are available (upon request)							

STANDARD GATES	Passage, Double Entry, Cantilever
----------------	-----------------------------------